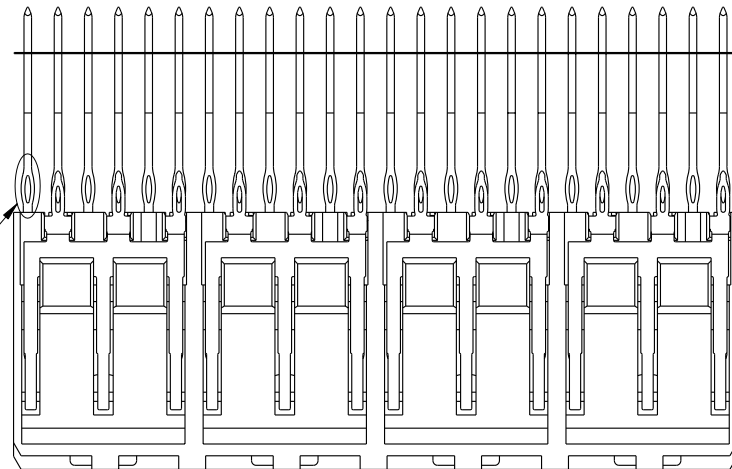


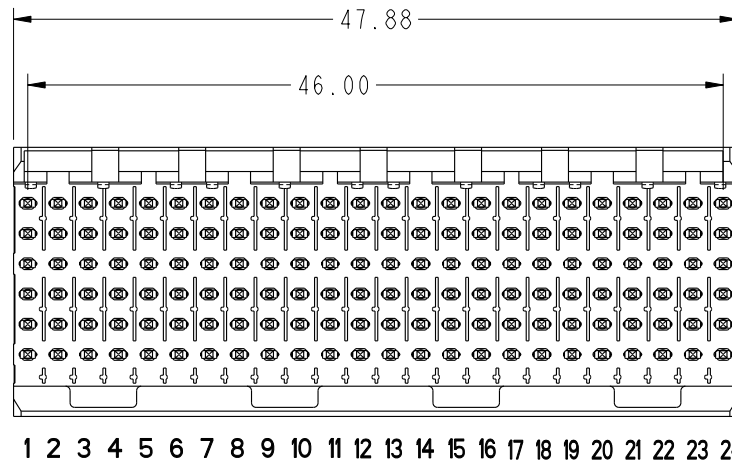
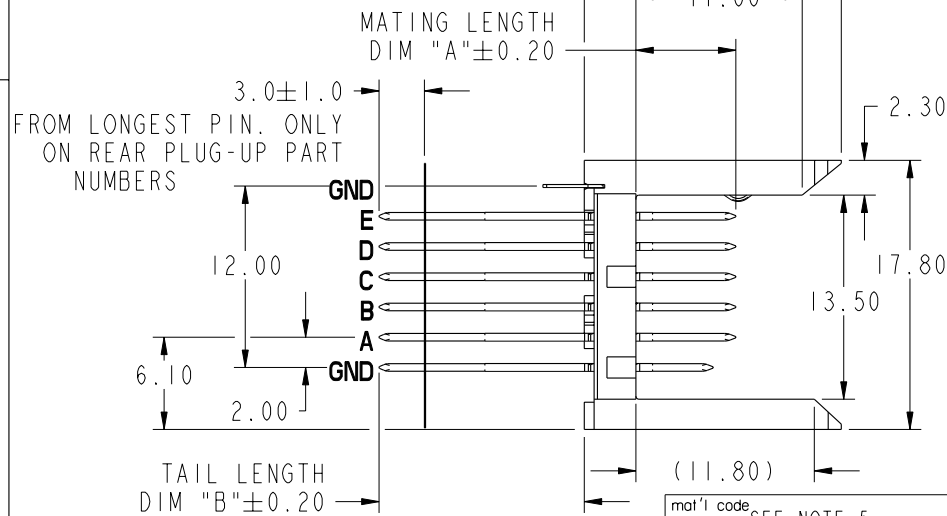
PRODUCT NUMBER	PLATING PERFORMANCE LEVEL	FOR REAR PLUG-UP APPLICATIONS USE SHROUD
63779-1ZZZ	TELCORDIA CO	84818-104
63779-1ZZZLF	TELCORDIA CO	84818-104LF
63779-5ZZZ	TELCORDIA UE	84818-504
63779-5ZZZLF	TELCORDIA UE	84818-504LF



SEE DETAIL A



DETAIL A
SCALE 4:1
SEE NOTE 17



mat'l code SEE NOTE 5				tolerances unless otherwise specified			CUSTOMER	FCI	
ltr	ecn no.	dr	date	linear	0.X ±0.3	COPY	www.fciconnect.com		
M	V06-0498	DCH	2006-05-31		0.XX ±0.13	projection	title VERTICAL SIGNAL HDR 5 ROW		
N	V07-0172	DCH	2007-03-29		.XXX ±.051		P.F. 120 POS. SELECT LOAD STD		
P	V08-0003	HTB	2008-01-03	angles	0° ±2°		product family METRAL 1000		code
R	V08-0016	HTB	2008-01-14	dr	E. KROPER. 2001-09-24	MM	size	dwg no	213
S	V08-0051	LP	2008-02-18	engr	J. VOLSTORF 2001-09-24	← MM →	A	63779	sheet
T	V08-0141	LP	2008-03-28	chr	J. VOLSTORF 2001-09-24	scale			1 of 7
-	-	-	-	appd	J. VOLSTORF 2001-09-24	1:1			
sheet index	revision sheet	T 1	T 2	T 3	T 4	T 5	T 6	T 7	



This document is the property of and embodies CONFIDENTIAL and PROPRIETARY information of FCI. No part of the information shown on this document may be used in any way or disclosed to others without the written consent of FCI. Copyright FCI.

PIN NO.	DIM A MATING LENGTH	DIM B TAIL LENGTH	PCB THICKNESS RANGE ACCOMMODATED BY PIN'S TAIL LENGTH				
			WHEN MATING TO A 73981 OR 84688 SERIES RECEPTACLE		WHEN MATING TO A 52057 SERIES METRAL 4000 RECEPTACLE		
			ROWS A,B,C,D,E	GROUND ROW	ROWS:A,B,D,E	ROW C	GROUND ROW **
01*	5.00	4.30	1.60 MIN	1.60 MIN	1.60 MIN	1.60 MIN	1.60 MIN
22		12.20	2.95 - 3.80	2.95 - 4.20	2.95 - 3.80	2.95 - 3.80	2.95 - 4.20
30		12.95	2.95 - 4.55	3.25 - 4.95	2.95 - 4.55	2.95 - 4.55	3.25 - 4.95
05		13.70	2.95 - 5.30	4.00 - 5.70	3.30 - 5.30	2.95 - 5.30	4.00 - 5.70
35		14.45	3.05 - 6.05	4.75 - 6.45	4.05 - 6.05	3.05 - 6.05	4.75 - 6.45
48		15.20	3.80 - 6.80	5.50 - 7.20	4.80 - 6.80	3.80 - 6.80	5.50 - 7.20
40		15.70	4.30 - 7.30	6.00 - 7.70	5.30 - 7.30	4.30 - 7.30	6.00 - 7.70
65		16.40	5.00 - 8.00	6.70 - 8.40	6.00 - 8.00	5.00 - 8.00	6.70 - 8.40
09		17.10	5.70 - 8.70	7.40 - 9.10	6.70 - 8.70	5.70 - 8.70	7.40 - 9.10
02*	5.75	4.30	1.60 MIN	1.60 MIN	1.60 MIN	1.60 MIN	1.60 MIN
44		12.20	2.95 - 3.80	2.95 - 4.20	2.95 - 3.80	2.95 - 3.80	2.95 - 4.20
31		12.95	2.95 - 4.55	3.25 - 4.95	2.95 - 4.55	2.95 - 4.55	3.25 - 4.95
06		13.70	2.95 - 5.30	4.00 - 5.70	3.30 - 5.30	2.95 - 5.30	4.00 - 5.70
36		14.45	3.05 - 6.05	4.75 - 6.45	4.05 - 6.05	3.05 - 6.05	4.75 - 6.45
49		15.20	3.80 - 6.80	5.50 - 7.20	4.80 - 6.80	3.80 - 6.80	5.50 - 7.20
25		15.70	4.30 - 7.30	6.00 - 7.70	5.30 - 7.30	4.30 - 7.30	6.00 - 7.70
66		16.40	5.00 - 8.00	6.70 - 8.40	6.00 - 8.00	5.00 - 8.00	6.70 - 8.40
10		17.10	5.70 - 8.70	7.40 - 9.10	6.70 - 8.70	5.70 - 8.70	7.40 - 9.10
03*	6.50	4.30	1.60 MIN	1.60 MIN	1.60 MIN	1.60 MIN	1.60 MIN
45		12.20	2.95 - 3.80	2.95 - 4.20	2.95 - 3.80	2.95 - 3.80	2.95 - 4.20
32		12.95	2.95 - 4.55	3.25 - 4.95	2.95 - 4.55	2.95 - 4.55	3.25 - 4.95
07		13.70	2.95 - 5.30	4.00 - 5.70	3.30 - 5.30	2.95 - 5.30	4.00 - 5.70
37		14.45	3.05 - 6.05	4.75 - 6.45	4.05 - 6.05	3.05 - 6.05	4.75 - 6.45
50		15.20	3.80 - 6.80	5.50 - 7.20	4.80 - 6.80	3.80 - 6.80	5.50 - 7.20
41		15.70	4.30 - 7.30	6.00 - 7.70	5.30 - 7.30	4.30 - 7.30	6.00 - 7.70
24		16.40	5.00 - 8.00	6.70 - 8.40	6.00 - 8.00	5.00 - 8.00	6.70 - 8.40
11		17.10	5.70 - 8.70	7.40 - 9.10	6.70 - 8.70	5.70 - 8.70	7.40 - 9.10

* STUB PINS - NO REAR PLUG-UP
 ** THE GREATEST RANGE OCCURS WHEN THE B DIMENSION OF PIN 'GND' IS ONE SIZE SHORTER THAN THE OTHER PINS.



This document is the property of and embodies CONFIDENTIAL and PROPRIETARY information of FCI. No part of the information shown on this document may be used in any way or disclosed to others without the written consent of FCI. Copyright FCI.

mat'l code SEE NOTE 5				tolerances unless otherwise specified		CUSTOMER		www.fciconnect.com	
ltr	ecn no.	dr	date	linear	0.X ±0.3	COPY			title VERTICAL SIGNAL HDR 5 ROW P.F. 120 POS. SELECT LOAD STD
T					0.XX ±0.13	MM			
					.XXX ±.051	A			
				angles	0° ±2°	scale 1:1			
				dr	E. KROPER. 2001-09-24	product family METRAL 1000		code	213
				engr	J. VOLSTROF 2001-09-24	size		dwg no	63779
				chr	J. VOLSTORF 2001-09-24	A		sheet	2
				appd	J. VOLSTORF 2001-09-24				
sheet index	revision sheet								

PIN NO.	DIM A MATING LENGTH	DIM B TAIL LENGTH	PCB THICKNESS RANGE ACCOMMODATED BY PIN LENGTH				
			WHEN MATING TO A 73981 OR 84688 SERIES RECEPTACLE		WHEN MATING TO A 52057 SERIES METRAL 4000 RECEPTACLE		
			ROWS A,B,C,D,E	GROUND ROW	ROWS:A,B,D,E	ROW C	GROUND ROW **
04*	7.25	4.30	1.60 MIN	1.60 MIN	1.60 MIN	1.60 MIN	1.60 MIN
46		12.20	2.95 - 3.80	2.95 - 4.20	2.95 - 3.80	2.95 - 3.80	2.95 - 4.20
33		12.95	2.95 - 4.55	3.25 - 4.95	2.95 - 4.55	2.95 - 4.55	3.25 - 4.95
08		13.70	2.95 - 5.30	4.00 - 5.70	3.30 - 5.30	2.95 - 5.30	4.00 - 5.70
38		14.45	3.05 - 6.05	4.75 - 6.45	4.05 - 6.05	3.05 - 6.05	4.75 - 6.45
51		15.20	3.80 - 6.80	5.50 - 7.20	4.80 - 6.80	3.80 - 6.80	5.50 - 7.20
42		15.70	4.30 - 7.30	6.00 - 7.70	5.30 - 7.30	4.30 - 7.30	6.00 - 7.70
67		16.40	5.00 - 8.00	6.70 - 8.40	6.00 - 8.00	5.00 - 8.00	6.70 - 8.40
12		17.10	5.70 - 8.70	7.40 - 9.10	6.70 - 8.70	5.70 - 8.70	7.40 - 9.10
19*	8.00	4.30	1.60 MIN	1.60 MIN	1.60 MIN	1.60 MIN	1.60 MIN
47		12.20	2.95 - 3.80	2.95 - 4.20	2.95 - 3.80	2.95 - 3.80	2.95 - 4.20
34		12.95	2.95 - 4.55	3.25 - 4.95	2.95 - 4.55	2.95 - 4.55	3.25 - 4.95
20		13.70	2.95 - 5.30	4.00 - 5.70	3.30 - 5.30	2.95 - 5.30	4.00 - 5.70
39		14.45	3.05 - 6.05	4.75 - 6.45	4.05 - 6.05	3.05 - 6.05	4.75 - 6.45
52		15.20	3.80 - 6.80	5.50 - 7.20	4.80 - 6.80	3.80 - 6.80	5.50 - 7.20
43		15.70	4.30 - 7.30	6.00 - 7.70	5.30 - 7.30	4.30 - 7.30	6.00 - 7.70
68		16.40	5.00 - 8.00	6.70 - 8.40	6.00 - 8.00	5.00 - 8.00	6.70 - 8.40
21		17.10	5.70 - 8.70	7.40 - 9.10	6.70 - 8.70	5.70 - 8.70	7.40 - 9.10

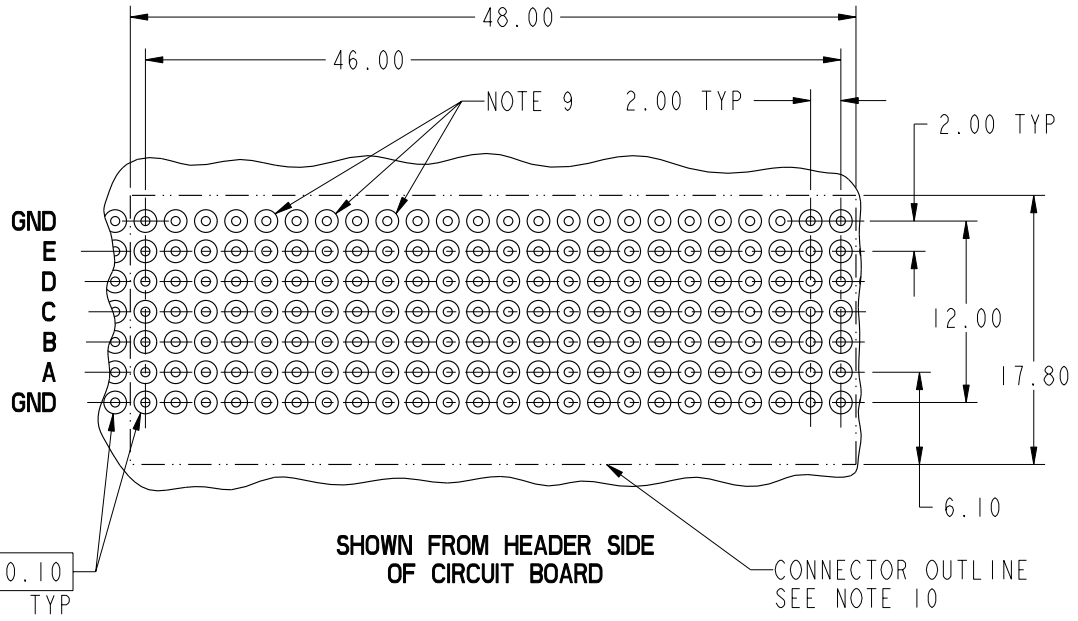
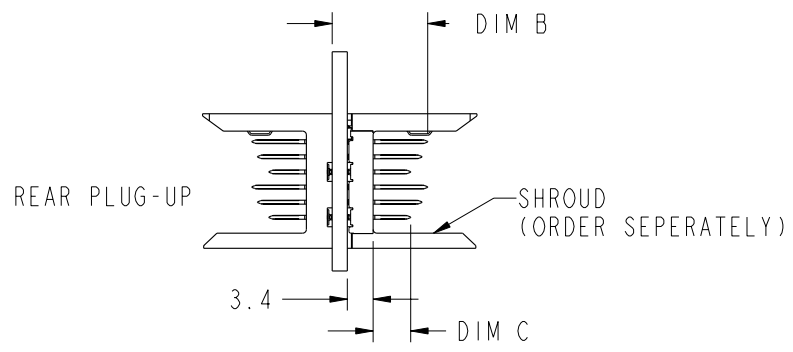
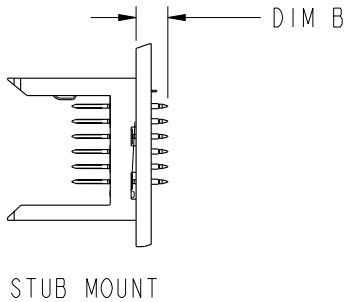
* STUB PINS - NO REAR PLUG-UP
 ** THE GREATEST RANGE OCCURS WHEN THE B DIMENSION OF PIN 'GND' IS ONE SIZE SHORTER THAN THE OTHER PINS.



This document is the property of and embodies CONFIDENTIAL and PROPRIETARY information of FCI. No part of the information shown on this document may be used in any way or disclosed to others without the written consent of FCI. Copyright FCI.

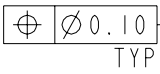
mat'l code SEE NOTE 5				tolerances unless otherwise specified		CUSTOMER	www.fciconnect.com	
ltr	ecn no.	dr	date	linear	0.X ±0.3		COPY	
T					0.XX ±0.13		projection	
					.XXX ±.051			
				angles	0° ±2°			
				dr	E. KROPER.	2001-09-24	MM	
				engr	J. VOLSTROF	2001-09-24		
				chr	J. VOLSTORF	2001-09-24	scale 1:1	
				appd	J. VOLSTORF	2001-09-24		
sheet index	revision sheet						product family METRAL 1000	code 213
							size A	dwg no 63779
								sheet 3

PRODUCT NUMBER
SEE SHEET 1



PRESS-FIT HOLES	OPTION 1
HOLE DIAMETER AFTER PLATING	0.65-0.80
DRILLED HOLE	0.81-0.86 (0.85 DRILL)
COPPER PLATING	0.025 MIN
SnPb PLATING	0.005-0.015

SEE PRINT 58351 FOR
ADDITIONAL PCB INFORMATION.



This document is the property of and embodies
 CONFIDENTIAL and PROPRIETARY information of FCI.
 No part of the information shown on this
 document may be used in any way or disclosed
 to others without the written consent of FCI.
 Copyright FCI.

mat'l code SEE NOTE 5				tolerances unless otherwise specified		CUSTOMER	FCI www.fciconnect.com	
ltr	ecn no.	dr	date	linear	0.X ±0.3	COPY	title	
T					0.XX ±0.13	projection	VERTICAL SIGNAL HDR 5 ROW P.F. 120 POS. SELECT LOAD STD	
				angles	.XXX ±.051		product family	
					0° ±2°		METRAL 1000	
		dr	E. KROPER.	2001-09-24		MM	size	code
		enr	J. VOLSTROF	2001-09-24			dwg no	213
		chr	J. VOLSTORF	2001-09-24			A	63779
		appd	J. VOLSTORF	2001-09-24		scale		4
						1:1		
sheet index	revision sheet							

cage code 22526

Pro/E

3

4

SELECT LOAD PATTERNS

PRODUCT #	ROW	COLUMN																							
		1	2	3	4	5	6	7	8	9	10	11	12	13	14	15	16	17	18	19	20	21	22	23	24
63779-X001 SEE NOTE 16 LEAD FREE OPTION	E	03	02	02	01	01	01	01	01	01	01	01	01	01	01	01	01	01	01	01	01	01	02	02	03
	D	03	02	02	01	01	01	01	01	01	01	01	01	01	01	01	01	01	01	01	01	01	02	02	03
	C	03	02	02	03	03	03	03	03	03	03	03	03	03	03	03	03	03	03	03	03	03	02	02	03
	B	03	02	02	01	01	01	01	01	01	01	01	01	01	01	01	01	01	01	01	01	01	02	02	03
	A	03	02	02	01	01	01	01	01	01	01	01	01	01	01	01	01	01	01	01	01	01	02	02	03
	GND	01	01	01	01	01	01	01	01	01	01	01	01	01	01	01	01	01	01	01	01	01	01	01	01
PRODUCT #	ROW	COLUMN																							
63779-X002 SEE NOTE 14 *RPU** SEE NOTE 16 LEAD FREE OPTION	E	55	02	02	02	02	55	55	55	02	02	02	02	55	55	55	55	55	55	02	02	02	02	55	55
	D	55	02	02	02	02	55	55	55	02	02	02	02	55	55	55	55	55	55	02	02	02	02	55	55
	C	55	02	02	02	02	55	55	55	02	02	02	02	55	55	55	55	55	55	02	02	02	02	55	55
	B	55	02	02	02	02	55	55	55	02	02	02	02	55	55	55	55	55	55	02	02	02	02	55	55
	A	55	02	02	02	02	55	55	55	02	02	02	02	55	55	55	55	55	55	02	02	02	02	55	55
	GND	55	02	02	02	02	55	55	55	02	02	02	02	55	55	55	55	55	55	02	02	02	02	55	55
PRODUCT #	ROW	COLUMN																							
63779-X003 SEE NOTE 14 *RPU** SEE NOTE 16 LEAD FREE OPTION	E	55	55	02	02	02	02	55	55	55	55	55	55	55	55	55	55	55	55	02	02	02	02	55	
	D	55	55	02	02	02	02	55	55	55	55	55	55	55	55	55	55	55	55	02	02	02	02	55	
	C	55	55	02	02	02	02	55	55	55	55	55	55	55	55	55	55	55	55	02	02	02	02	55	
	B	55	55	02	02	02	02	55	55	55	55	55	55	55	55	55	55	55	55	02	02	02	02	55	
	A	55	55	02	02	02	02	55	55	55	55	55	55	55	55	55	55	55	55	02	02	02	02	55	
	GND	55	55	02	02	02	02	55	55	55	55	55	55	55	55	55	55	55	55	02	02	02	02	55	

** NOT A POSSIBLE METRAL 1000 OR 4000 REAR PLUG-UP PART NUMBER, SPECIAL APPLICATION.

** NOT A POSSIBLE METRAL 1000 OR 4000 REAR PLUG-UP PART NUMBER, SPECIAL APPLICATION.

*REAR PLUG-UP PART NUMBER



This document is the property of and embodies CONFIDENTIAL and PROPRIETARY information of FCI. No part of the information shown on this document may be used in any way or disclosed to others without the written consent of FCI. Copyright FCI.


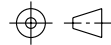
mat'l code SEE NOTE 5				tolerances unless otherwise specified				CUSTOMER		www.fciconnect.com		
ltr	ecn no.	dr	date	linear	0.X ±0.3		COPY					
T					0.XX ±0.13		projection					
					.XXX ±.051							
				angles	0° ±2°							
				dr	E. KROPER.	2001-09-24	product family				METRAL 1000	code
				engr	J. VOLSTROF	2001-09-24	size	dwg no			213	sheet
				chr	J. VOLSTORF	2001-09-24	A		63779	5		
				appd	J. VOLSTORF	2001-09-24	scale		1:1			
sheet index	revision sheet											

cage code 22526

SELECT LOAD PATTERNS

PRODUCT #	ROW	COLUMN																							
		1	2	3	4	5	6	7	8	9	10	11	12	13	14	15	16	17	18	19	20	21	22	23	24
63779-X004 SEE NOTE 16 LEAD FREE OPTION	E	02	02	02	02	02	02	02	02	02	02	02	02	02	02	02	02	02	02	02	02	02	02	02	02
	D	02	02	02	02	02	02	02	02	02	02	02	02	02	02	02	02	02	02	02	02	02	02	02	02
	C	02	02	02	02	02	02	02	02	02	02	02	02	02	02	02	02	02	02	02	02	02	02	04	04
	B	02	02	02	02	02	02	02	02	02	02	02	02	02	02	02	02	02	02	02	02	02	02	02	02
	A	02	02	02	02	02	02	02	02	02	02	02	02	02	02	02	02	02	02	02	02	02	02	02	02
	GND	02	02	02	02	02	02	02	02	02	02	02	02	02	02	02	02	02	02	02	02	02	02	02	02
63779-X005 SEE NOTE 16 LEAD FREE OPTION	E	02	02	02	02	02	02	02	02	02	02	02	02	02	02	02	02	02	02	02	02	02	02	02	
	D	02	02	02	02	02	02	02	02	02	02	02	02	02	02	02	02	02	02	02	02	02	02	02	
	C	04	02	02	02	02	02	04	02	02	02	02	02	01	02	02	02	02	02	04	02	02	02	02	
	B	02	02	02	02	02	02	02	02	02	02	02	02	02	02	02	02	02	02	02	02	02	02	02	
	A	02	02	02	02	02	02	02	02	02	02	02	02	02	02	02	02	02	02	02	02	02	02	02	
	GND	-	02	02	02	02	-	-	02	02	02	02	-	-	02	02	02	02	-	-	02	02	02	02	
63779-X006 *RPU SEE NOTE 16 LEAD FREE OPTION	E	22	22	22	22	22	22	22	22	22	22	22	22	22	22	22	22	22	22	22	22	01	01	01	
	D	22	22	22	22	22	22	22	22	22	22	22	22	22	22	22	22	22	22	22	22	01	01	01	
	C	22	22	22	22	22	22	22	22	22	22	22	22	22	22	22	22	22	22	22	22	01	01	01	
	B	01	01	01	01	01	01	01	01	01	01	01	01	01	01	01	01	01	01	01	01	01	01	01	
	A	01	01	01	01	01	01	01	01	01	01	01	01	01	01	01	01	01	01	01	01	01	01	01	
	GND	22	22	22	22	22	22	22	22	22	22	22	22	22	22	22	22	22	22	22	22	22	22	22	

*REAR PLUG-UP PART NUMBER


mat'l code SEE NOTE 5				tolerances unless otherwise specified				CUSTOMER				 www.fciconnect.com											
ltr	ecr no.	dr	date	linear	0.X ±0.3			COPY				title VERTICAL SIGNAL HDR 5 ROW P.F. 120 POS. SELECT LOAD STD											
T					0.XX ±0.13			projection															
					angles	.XXX ±.051																	
				0° ±2°																			
				dr	E. KROPER.	2001-09-24	MM ← MM →				product family METRAL 1000 code												
				enr	J. VOLSTROF	2001-09-24					size				dwg no								
				chr	J. VOLSTROF	2001-09-24	scale 1:1				A												
				appd	J. VOLSTROF	2001-09-24					63779				sheet 6								
sheet index	revision sheet																						

This document is the property of and embodies
 CONFIDENTIAL and PROPRIETARY information of FCI.
 No part of the information shown on this
 document may be used in any way or disclosed
 to others without the written consent of FCI.
 Copyright FCI.

PRODUCT NUMBER
SEE SHEET 1

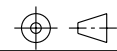

NOTES:

- 1. SEE APPLICATION SPECIFICATION GS-20-010 FOR INFORMATION ON AVAILABLE TOOLING, CIRCUIT BOARD DESIGN CONSIDERATIONS, REPAIR PROCEDURES AND PRODUCT OFFERINGS.
- 2. SEE FCI PUBLICATION 950511-028 FOR "ELECTRICAL PERFORMANCE DATA FOR DIFFERENTIAL APPLICATIONS."
- 3. SEE FCI PUBLICATION 950511-029 FOR "ELECTRICAL PERFORMANCE DATA FOR SINGLE-ENDED APPLICATION."
- 4. UNLESS OTHERWISE SPECIFIED, ALL DIMENSIONS AND TOLERANCES ARE IN ACCORDANCE WITH ASME Y14.5, 1994
- 5. HOUSING MATERIAL: LIQUID CRYSTAL POLYMER, 30% GLASS FILLED, FLAME RETARDANT PER UL 94-V0.
PIN MATERIAL: PHOSPHER BRONZE
GROUND SPRING MATERIAL: PHOSPHER BRONZE
- 6. PLATING ON CONTACT TO MEET PERFORMANCE LEVEL AS SPECIFIED IN TABLE ON SHEET 1. PLATING ON "LF" TAILS IS Sn. PLATING ON ALL OTHER TAILS IS SnPb.
- 7. DIMENSIONAL RESTRICTIONS OF PINS IN HEADERS.
FOR MATING WITH METRAL 1000 RECEPTACLES
DIM A : 5.00mm MIN, 8.00mm MAX FOR ROWS A-E
DIM A : 5.00mm MIN, 5.75mm MAX FOR ROW GND NEXT TO ROW A
DIM C : 5.00mm MIN, 8.00mm MAX FOR ROWS A-E
DIM C : 4.60mm MIN, 6.30mm MAX FOR ROW GND NEXT TO ROW A
FOR MATING WITH METRAL 4000 RECEPTACLES
DIM A : 5.00mm MIN, 6.50mm MAX FOR ROWS A, B, D & E
DIM A : 5.00mm MIN, 8.00mm MAX FOR ROW C
DIM A : 5.00mm MIN, 5.75mm MAX FOR ROW GND NEXT TO ROW A
DIM C : 5.00mm MIN, 7.00mm MAX FOR ROWS A, B, D & E
DIM C : 5.00mm MIN, 8.00mm MAX FOR ROW C
DIM C : 4.60mm MIN, 6.30mm MAX FOR ROW GND NEXT TO ROW A
- 8. THE MIN PCB THICKNESS FOR REAR PLUG-UP APPLICATIONS IS 2.9mm SINCE THE COMPLIANT SECTIONS OF THE GROUND SPRING OF THE HEADER DIRECTLY OPPOSE THE GROUND SPRING OF THE SHROUD. THE MIN PCB THICKNESS FOR FRONT PLUG-UP ONLY APPLICATIONS IS 1.6mm.

- 9. THESE HOLES ARE NEEDED FOR REAR PLUG-UP DESIGNS USING A SHROUD AND MAY BE OMITTED FOR FRONT PLUG-UP ONLY DESIGNS.
- 10. THE 'CONNECTOR OUTLINE' IS THE MIN OUTLINE REQUIRED. TO DETERMINE THE OUTLINE NECESSARY TO PERMIT THE VARIOUS TYPES OF REPAIR OPERATIONS, SEE APPLICATION SPECIFICATION GS-20-010.
- 11. CURRENT RATING: 1 AMP PER PIN
- 12. TEMPERATURE RANGE: -55 C TO +105 C
- 13. P/N 63779-XZZZLF

 - LEAD FREE (OPTIONAL)
 - SELECT LOAD PATTERN
 - PLATING CODE
- 14. PIN CODE 55 CANNOT BE USED WITH METRAL 1000 SHROUDS. PIN CODE 55 HAS A DIM A=5.75mm, DIM B=11.55mm.
- 15. PRODUCTS WHERE THE PART NUMBERS ENDS IN LF MEET EUROPEAN UNION DIRECTIVES AND OTHER COUNTRY REGULATIONS AS DESCRIBED IN GS-22-008. ALL PRODUCTS WILL WITHSTAND EXPOSURE TO 260°C FOR 60 SECONDS IN A CONVECTION, INFRA-RED OR VAPOR PHASE REFLOW OVEN
- 16. FOR LEAD FREE PART NUMBERS ADD 'LF' SUFFIX. EXAMPLE: 63779-XXXXLF
- 17. PIN TYPE IS AT THE MANUFACTURERS OPTION AND CAN BE EITHER BABY-H OR EYE OF THE NEEDLE STYLE



This document is the property of and embodies CONFIDENTIAL and PROPRIETARY information of FCI. No part of the information shown on this document may be used in any way or disclosed to others without the written consent of FCI. Copyright FCI.

mat'l code SEE NOTE 5				tolerances unless otherwise specified		CUSTOMER		FCI www.fciconnect.com		
ltr	ecn no.	dr	date	linear	0.X ±0.3	COPY		title VERTICAL SIGNAL HDR 5 ROW P.F. 120 POS. SELECT LOAD STD	product family METRAL 1000	
T					0.XX ±0.13	projection				code 213
					.XXX ±.051					
				angles	0° ±2°			size 63779		
				dr	E. KROPER. 2001-09-24	scale 1:1			sheet 7	
				enrg	J. VOLSTROF 2001-09-24			cage code 22526		
				chr	J. VOLSTORF 2001-09-24				4	
				appd	J. VOLSTORF 2001-09-24					
sheet index	revision sheet									